

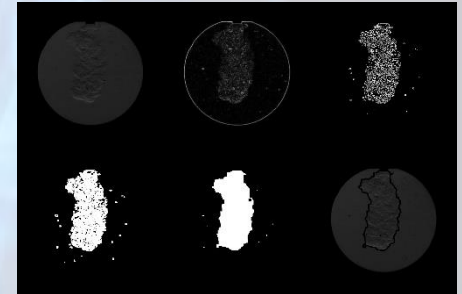


# PhD and MSc Openings for Outstanding Candidates Interested in Thermofluids and Propulsion-Related Research

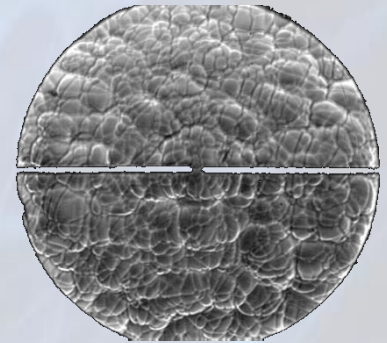
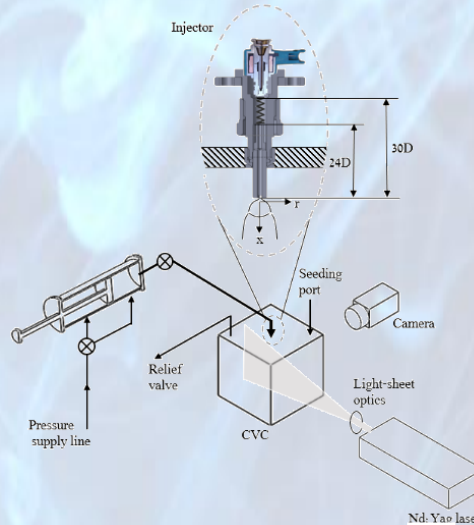
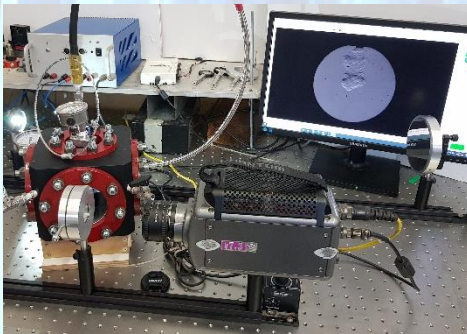


## Research directions:

- Thermochemical recuperation
- Hybrid propulsion combining fuel cell and ICE
- Combustion of hydrogen-rich multicomponent fuels
- Underexpanded multicomponent gaseous jets
- Novel combustion concepts



Research projects combine advanced computer simulation methods and laboratory experiments



## Requirements:

- High motivation
- Background in thermodynamics and other energy-related disciplines
- Open minded

## For more information, please contact:

Associate Professor Leonid Tartakovsky, email: [tartak@technion.ac.il](mailto:tartak@technion.ac.il) ,  
Dan-Kahn building, room 209, Phone: +972-4-8292077

